

2. Specifications

2.1 Specification Sheet

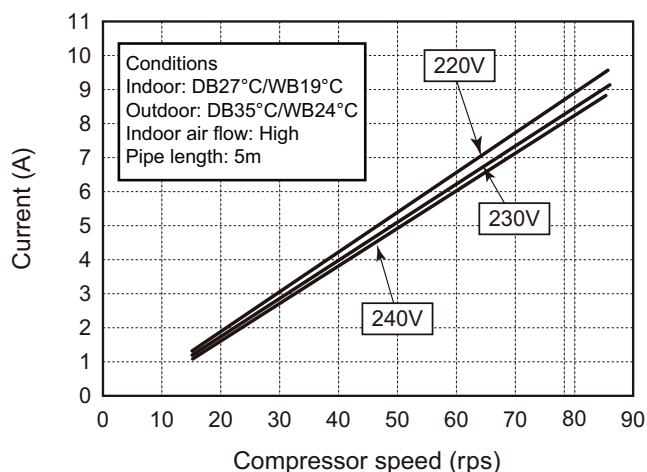
Parameter		Unit	Value	
Model			GWH18YD-K6DNA1A GWH18YD-K6DNA2A	GWH18YD-K6DNA1A GWH18YD-K6DNA2A
Product Code			CB437001300 CB466001300	CB437001301 CB466001301
Power Supply	Rated Voltage	V ~	220~240	220-240
	Rated Frequency	Hz	50	50
	Phases		1	1
Power Supply Mode			Outdoor	Outdoor
Cooling Capacity(Min~Max)		W	5300	5300
Heating Capacity(Min~Max)		W	5570	5570
Cooling Power Input(Min~Max)		W	1550	1550
Heating Power Input(Min~Max)		W	1428	1428
Cooling Current Input		A	6.9	6.9
Heating Current Input		A	6.3	6.3
Rated Input		W	2600	2600
Rated Current		A	/	/
Air Flow Volume(SH/H/M//L/SL)		m ³ /h	850/750/610/520/306	850/750/610/520/-
Dehumidifying Volume		L/h	1.80	1.8
EER		W/W	3.42	3.42
COP		W/W	3.90	3.90
SEER		W/W	7.60	7.6
SCOP (Average/Warmer/Colder)			4.10/5.20/3.40	4.10/5.20/3.40
HSPF		W/W	/	/
Application Area		m ²	23-34	23-34
Indoor Unit	Indoor Unit Model		GWH18YD-K6DNA1A/I GWH18YD-K6DNA2A/I	GWH18YD-K6DNA1A/I GWH18YD-K6DNA2A/I
	Indoor Unit Product Code		CB437N01300 CB466N01300	CB437N01301 CB466N01301
	Fan Type		Cross-flow	Cross-flow
	Fan Diameter Length(DXL)		mm	Φ106X706
	Cooling Speed(SH/MH/H/M//ML/L/SL)		r/min	1230/1170/1100/1020/960/880/800
	Heating Speed(SH/MH/H/M//ML/L/SL)		r/min	1400/1270/1200/1130/1050//980/900
	Fan Motor Power Output		W	60
	Fan Motor RLA		A	0.24
	Fan Motor Capacitor		μF	/
	Evaporator Form			Aluminum Fin-copper Tube
	Evaporator Pipe Diameter		mm	Φ7
	Evaporator Row-fin Gap		mm	2-1.4
	Evaporator Coil Length (LXDXW)		mm	715X25.4X304.8
	Swing Motor Model			MP35CJ
	Swing Motor Power Output		W	2.5
	Fuse Current		A	3.15
	Sound Pressure Level(SH/H/MH/M//ML/L/SL)		dB (A)	49/45/43/41/39/37/34
	Sound Power Level(SH/H/MH/M//ML/L/SL)		dB (A)	58/55/53//51/49/47/44
	Dimension (WXHXD)		mm	996X301X225
	Dimension of Carton Box (LXWXH)		mm	1057X377X307
Dimension of Package(LXWXH)		mm	1060X380X322	
Net Weight		kg	13.5	
Gross Weight		kg	16.5	

Outdoor Unit	Outdoor Unit Model		GWH18YD-K6DNA1A/O	GWH18YD-K6DNA1A/O(LCLH)
	Outdoor Unit Product Code		CB437W01300	CB437W01301
	Compressor Manufacturer		ZHUHAI LANDA COMPRESSOR CO.,LTD	ZHUHAI LANDA COMPRESSOR CO.,LTD
	Compressor Model		QXF-B141zF030A	QXF-B141zF030A
	Compressor Oil		68EP	68EP
	Compressor Type		Rotary	Rotary
	Compressor LRA	A	25	25
	Compressor RLA	A	6.5	6.5
	Compressor Power Input	W	1410	1410
	Compressor Overload Protector		1NT11L-6233 or KSD115°C or HPC115/95U1	1NT11L-6233 or KSD115°C or HPC115/95U1
	Throttling Method		Capillary	Capillary
	Set Temperature Range	°C	16~30	16~30
	Cooling Operation Ambient Temperature Range	°C	-15~43	-15~43
	Heating Operation Ambient Temperature Range	°C	-15~24	-22~24
	Condenser Form		Aluminum Fin-copper Tube	Aluminum Fin-copper Tube
	Condenser Pipe Diameter	mm	Φ7	Φ7
	Condenser Rows-fin Gap	mm	2-1.4	2-1.4
	Condenser Coil Length (LXDXW)	mm	851X38.1X660	851X38.1X660
	Fan Motor Speed	rpm	800	800
	Fan Motor Power Output	W	60	60
	Fan Motor RLA	A	0.24	0.24
	Fan Motor Capacitor	μF	/	/
	Outdoor Unit Air Flow Volume	m ³ /h	3200	3200
	Fan Type		Axial-flow	Axial-flow
	Fan Diameter	mm	Φ520	Φ520
	Defrosting Method		Automatic Defrosting	Automatic Defrosting
	Climate Type		T1	T1
	Isolation		I	I
	Moisture Protection		IPX4	IPX4
	Permissible Excessive Operating Pressure for the Discharge Side	MPa	4.3	4.3
	Permissible Excessive Operating Pressure for the Suction Side	MPa	2.5	2.5
	Sound Pressure Level (H/M/L)	dB (A)	57/-/-	57/-/-
Sound Power Level (H/M/L)	dB (A)	65/-/-	65/-/-	
Dimension(WXHXD)	mm	963X700X396	963X700X396	
Dimension of Carton Box (LXWXH)	mm	1026X455X735	1026X455X735	
Dimension of Package(LXWXH)	mm	1029X458X750	1029X458X750	
Net Weight	kg	45	45	
Gross Weight	kg	49.5	49.5	
Refrigerant		R32	R32	
Refrigerant Charge	kg	1	1	
Connection Pipe	Connection Pipe Length	m	5	5
	Connection Pipe Gas Additional Charge	g/m	16	16
	Outer Diameter Liquid Pipe	mm	Φ6	Φ6
	Outer Diameter Gas Pipe	mm	Φ12	Φ12
	Max Distance Height	m	10	10
	Max Distance Length	m	25	25
Note: The connection pipe applies metric diameter.				

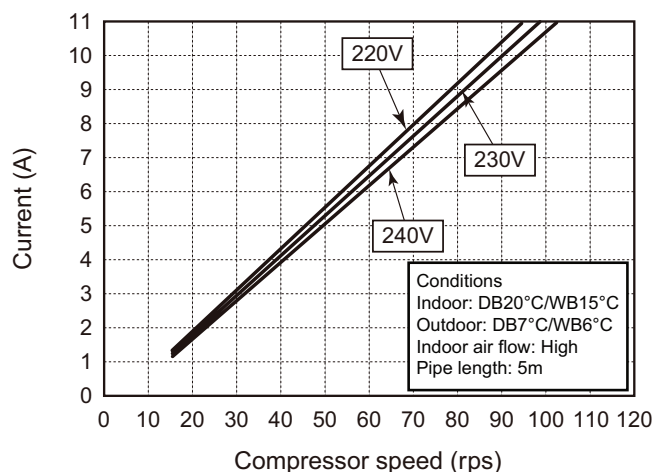
The above data is subject to change without notice. Please refer to the nameplate of the unit.

2.2 Operation Characteristic Curve

Cooling



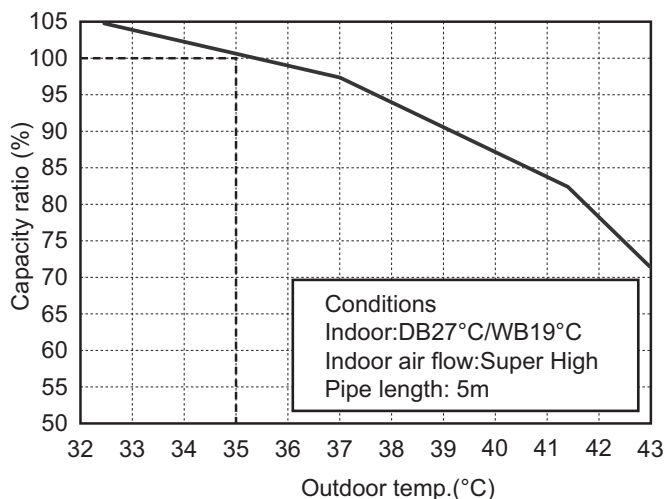
Heating



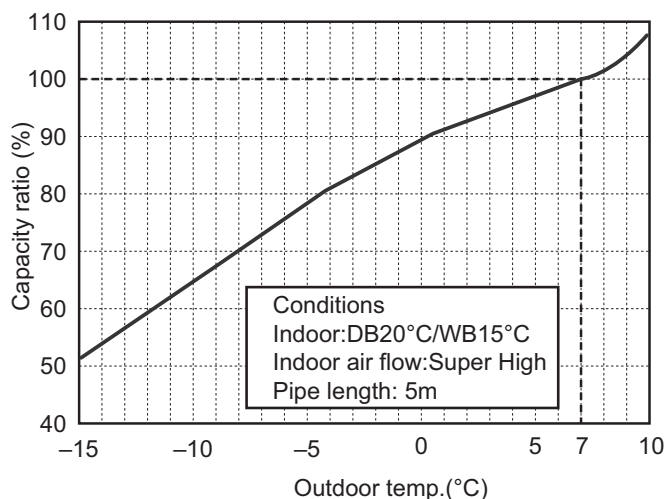
2.3 Capacity Variation Ratio According to Temperature

Heating operation ambient temperature range is -15°C~24°C

Cooling

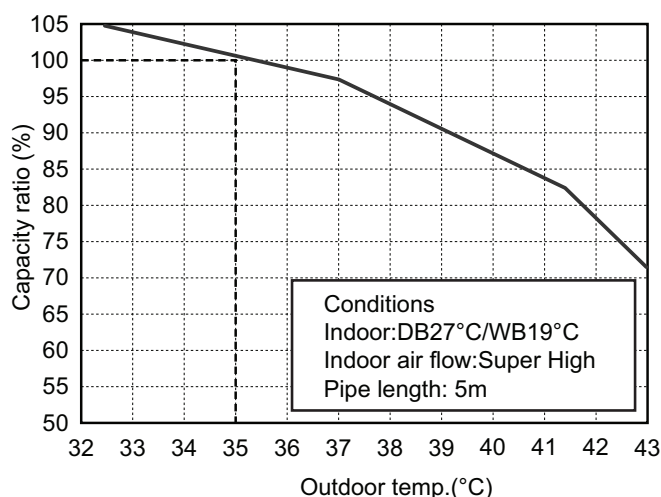


Heating

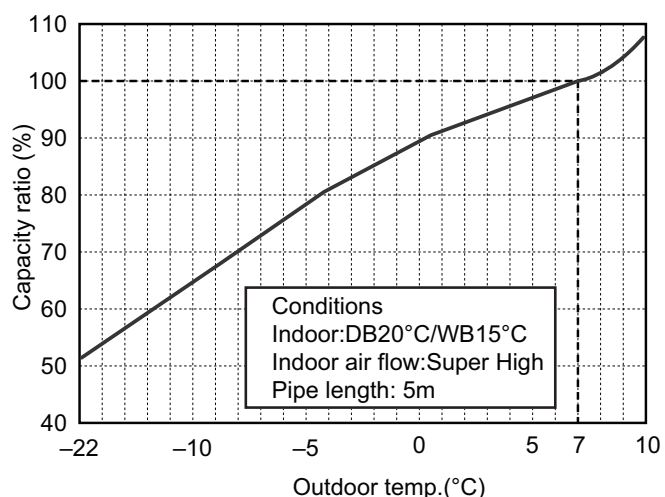


Heating operation ambient temperature range is -22°C~24°C

Cooling

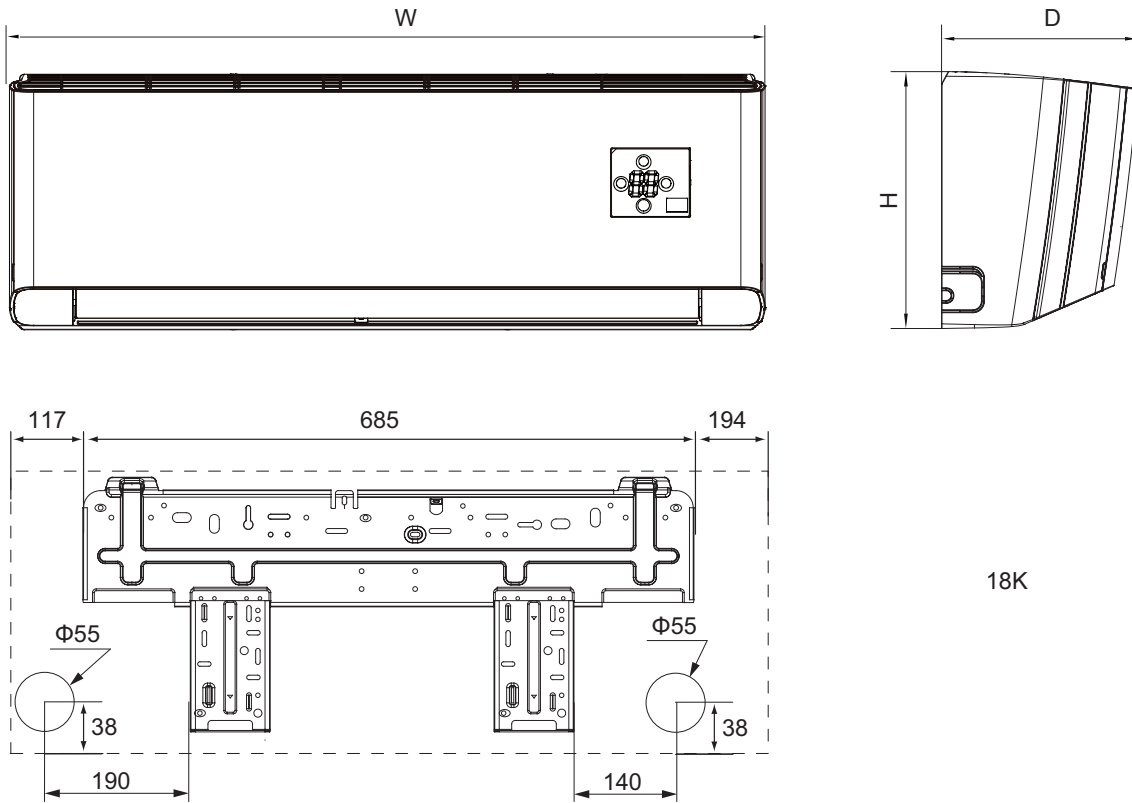


Heating



3. Outline Dimension Diagram

3.1 Indoor Unit



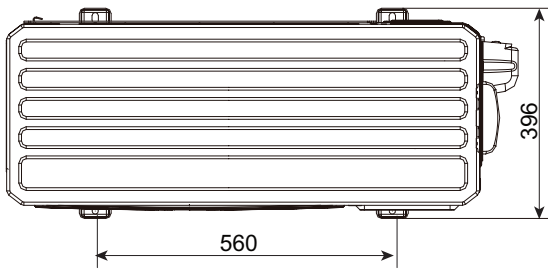
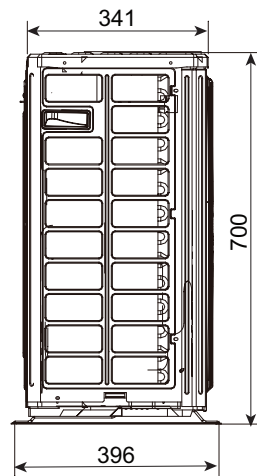
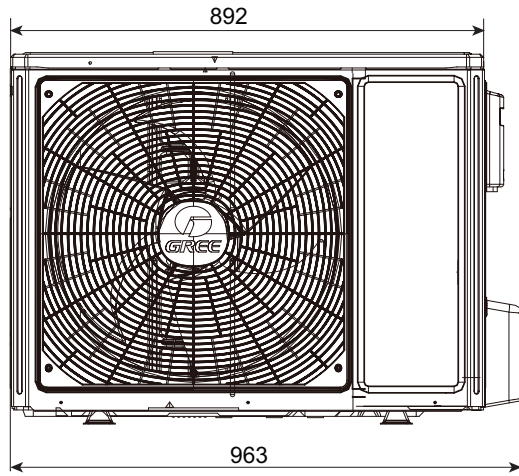
18K

Unit:mm

Models	W	H	D
18K	996	301	225

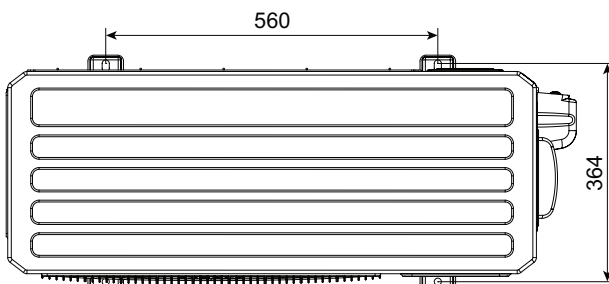
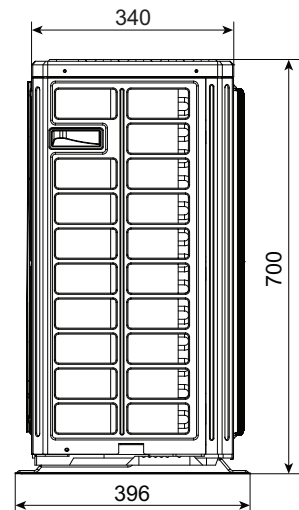
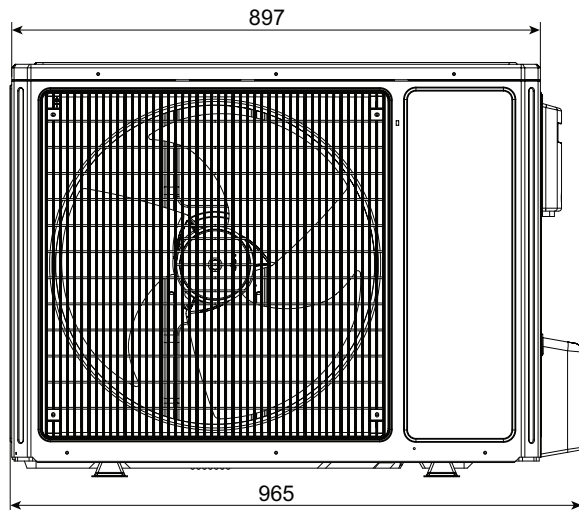
3.2 Outdoor Unit

GWH18YD-K6DNA1A/O(CB437W01300)



Unit:mm

GWH18YD-K6DNA1A/O(CB437W01301)



Unit:mm

